

POE-100AFv2

Power over Ethernet Kits

- PoE Injector and PoE Splitter Included
- Deliver Power Over Cat.5 Cable
- Comply with IEEE 802.3af Standard
- Accept 48V DC PoE Input Voltage
- 3 Segment DIP Switch for Output Voltage (5, 9 and 12V) Selection
- Light Weight with Compact Size Design

The POE-100AFv2 is special package that composed of 2 products, POE-48TUv2 and POE-48PBv2.

It is an ideal solution for you to add PoE application on your network devices. It provides 3-segment voltage selection; you can dip to required voltage according to your network device's power input and compatible with IEEE 802.3af standard.



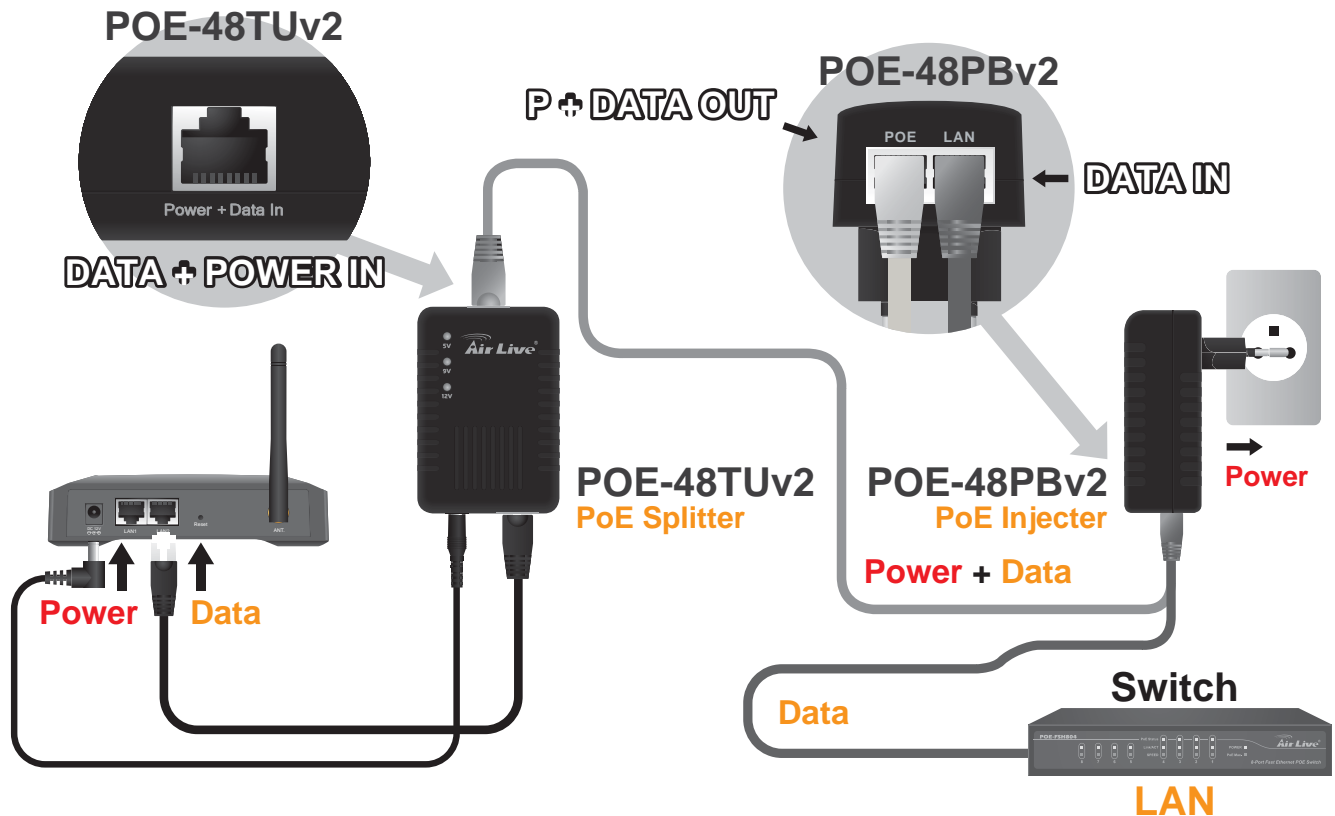
802.3af

PoE

48V Input

Switchable Output

All-in-One



Specifications

POE-48PBv2

Power output

- 48V, 0.4A
- Power pin: 4,5(V+), 7,8(V-)

Power input

- AC 100~240V, 50~60HZ

Data output

- Data pin: 1,2,3,6

Efficiency

- 85% minimum at dc output full loading

Protection

- SCP

RIPPLE and NOISE

- Low frequency ripple(<100KHz) <= 150mVp-p

Environmental Conditions

Temperature

- Operating: 0°C - 40°C
- Storage: -10°C - 80°C

Humidity

- Operating: 10 to 95%
- Storage: 10 to 95%

Emission

- CE, FCC

Product Weight (g)

- 96g

Dimensions (L x W x H (mm))

- 80 x 70 x 45

POE-48TUv2

Standard

- IEEE802.3, IEEE802.3u, IEEE802.3af

Interface

- Data + Power In:
 - 1 x RJ-45
 - Data pin: 1,2,3,6
 - Power pin: 4,5(V+), 7,8(V-) and 1,2(V+), 3,6(V-)
- Data Out:
 - 1 x RJ-45
 - Data pin: 1,2,3,6
- Power Out:
 - 5V, 9V, 12V (With DIP Switch)
 - Maximum feeding current:2.0A@5V

Power Jack diameter

- 1 x power cable with interchange power jack
- 4 x power jacks:
 - 5.5x2.5x12mm (White), 5.5x 2.1 x12mm (Blue),4.8x 1.7 x12mm (Yellow)and 3.5 x 1.3mm x12mm (Red), Length: 150mm

LED Indicator

- Power (Green)

Power Input

- DC 48V

Power Output

- 5VDC/2A
- 9VDC/1.1A
- 12VDC/0.85A

Environmental Conditions

Operating Temperature

- -10 to 45°C

Operating Humidity

- 10% ~ 90% (non-condensing)

EMI & Safety

- CE, FCC

Product Weight (g)

- 76 g

Dimensions (L x W x H)

- 80 x 55 x 31 mm

Ordering Information:

AirLive POE-100AFv2 Power over Ethernet Kits