

HYT

OWNER'S MANUAL

TC-700P

5-Tone Model

www.hytera.cn

Hytera *HYT*

is the trademark of Hytera Communications Corp., Ltd.
© 2010 Hytera Corp., Ltd. All Rights Reserved.

Address: HYT Tower, Hi-Tech Industrial Park North, Beihuan
RD., Nanshan District, Shenzhen, China
Post: 518057
<http://www.hytera.cn>



8110070001700



Thank you for purchasing Hytera TC-700P portable radio. This easy-to-use radio will deliver you secure, instant and reliable communication service at peak efficiency.

To derive optimum performance from your radio, please read this manual and the supplied Safety Information Booklet carefully before use.

Icon Information

The following icons are available through this manual:



Caution: indicates situations that could cause damage to your radio.



Note: indicates tips that can help you make better use of your radio.

Term Explanation

The following terms will appear through this manual:

Key Operation

Short press: to press a key and release it quickly.

Long press: to press the key and remain holding it down for a predefined period.

Hold down: to press a key and remain holding it down.

PTT ID

PTT ID, namely radio identity, allows a radio with display and the control center to identify the calling party.

Squelch

This technology can remove excessive background noises, improving your communication quality.

Individual Call

Individual call is a call initiated by a single user to another user, involving the calling party and the called party only.

Group Call

Group call is a call initiated by a single user to a group, involving the calling party and all the group members.

Copyright Information

Hytera and HYT are trademarks or registered trademarks of Hytera in the PRC and other countries and/or areas. Hytera retains the ownership of its trademarks and product names. All other trademarks and/or product names that may be used in this manual are properties of their respective owners.

The Hytera product described in this manual may include Hytera computer programs stored in memory or other media. Laws in the PRC and/or other countries or areas preserve for Hytera exclusive rights for Hytera computer programs. The purchase of this product shall not be deemed to grant, either directly or by implication, any rights to the purchaser with respect to Hytera computer programs. Any Hytera computer programs may not be copied, modified, distributed, decompiled, or reverse-engineered in any manner without the prior written consent of Hytera.

Disclaimer

Hytera endeavors to achieve the accuracy and completeness of this manual, but no warranty of accuracy or reliability is given. All the specifications and designs are subject to change without prior notice due to continuous technology development. No part of this manual may be copied, modified, translated, or distributed in any manner without the express written permission of Hytera.

If you have any suggestions or would like to learn more details, please visit us at: <http://www.hytera.cn>.

RF Energy Exposure Compliance

Your radio is designed and tested to comply with a number of national and international standards and guidelines (listed below) regarding human exposure to radio frequency electromagnetic energy. This radio complies with the IEEE and ICNIRP exposure limits for occupational/controlled RF exposure environment at operating duty factors of up to 50% transmitting and is authorized by the FCC for occupational use only. In terms of measuring RF energy for compliance with the FCC exposure guidelines, your radio radiates measurable RF energy only while it is transmitting (during talking), not when it is receiving (listening) or in standby mode.

Your radio complies with the following of RF energy exposure standards and guidelines

- United States Federal Communications Commission, Code of Federal Regulations; 47CFR part 2 sub-part J
- American National Standards Institute (ANSI)/ Institute of Electrical and Electronic Engineers (IEEE) C95. 1-1992
- Institute of Electrical and Electronic Engineers (IEEE) C95. 1-1999 Edition
- International Commission on Non-Ionizing Radiation Protection (ICNIRP) 1998

Operational Instructions and Training Guidelines

To ensure optimal performance and compliance with the occupational/controlled environment RF energy exposure limits in the above standards and guidelines, users should transmit no more than 50% of the time and always adhere to the following procedures:

Transmit and Receive

To transmit (talk), push the Push-To-Talk (PTT) key; to receive, release the PTT key.

FCC Licensing Information

Part 15 Compliance

This equipment has been tested and found to comply with the limits for a Class B digital device, pursuant to part 15 of the FCC Rules. These limits are designed to provide reasonable protection against harmful interference in a residential installation. This equipment generates, uses and can radiate radio frequency energy and, if not installed and used in accordance with the instructions, may cause harmful interference to radio communications. However, there is no guarantee that interference will not occur in a particular installation. If this equipment does cause harmful interference to radio or television reception, which can be determined by turning the equipment off and on, the user is encouraged to try to correct the interference by one or more of the following measures:

- Reorient or relocate the receiving antenna.
- Increase the separation between the equipment and receiver.
- Connect the equipment into an outlet on a circuit different from that to which the receiver is connected.
- Consult the dealer or an experienced radio/TV technician for help.

FCC Licensing Requirements

A license from Federal Communications Commission is required prior to use. Your dealer will program each radio with your authorized frequencies, signaling codes, etc., and will be there to meet your communications needs as your system expands. Contact your dealer for more information.

Contents

Checking Items in the Package	3	Adjust Squelch Level	16
Radio Overview	4	Scrambler	16
Radio Controls	4	Compandor	16
Programmable Keys	5	Call Forward	16
Before Use	7	Whisper	16
Charging the Battery	7	Lone Worker	17
Assembly and Disassembly	8	Man Down (optional)	17
Status Indications	10	Auto Contact	17
Basic Operations	11	Call 1-Call 5	18
Turning the Radio On/Off	11	Battery Power Indicator	18
Adjusting the Volume	11	Rental Time Indicator	18
Selecting a Channel	11	Channel Announce Enable	18
Transmitting/Receiving a Call	11	Channel Announce Temporary Enable	19
Functions and Operations	12	Patrol (optional)	19
Adjust Power Level	12	Vibrate (optional)	20
Monitor	12	Time-out Timer (TOT)	20
Squelch Off	12	Safety Check	20
Cancel Call	12	Low Battery Alert	20
Scan	13	Signaling Introduction	21
Emergency	14	Phone	21
VOX	15	HDC2400™ Signaling	21
Talk Around	15		

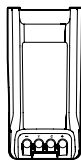
TC-700P

Contents

5-Tone Signaling	22
Troubleshooting	23
Care and Cleaning	25
Optional Accessories	26

Checking Items in the Package

Please unpack carefully and check that all items listed below are received. If any item is missing or damaged, please contact your dealer.

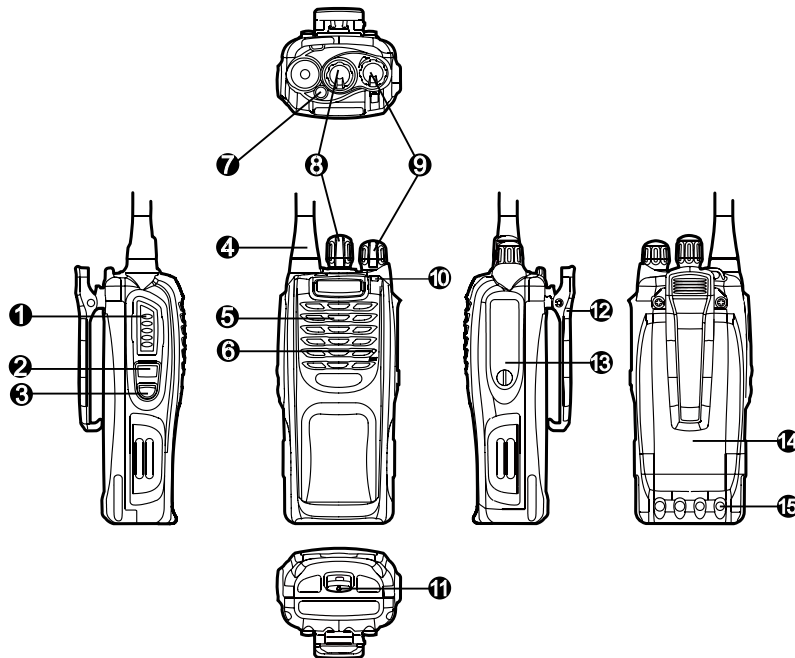
1 Radio Unit**2** Battery**3** MCU Charger**4** Switching Power**5** Belt Clip**6** Strap**7** Antenna**8** Owner's Manual & Safety Information Booklet**Note:**

1. The above pictures are for reference only. Actual products may vary slightly.
2. The antenna may vary with different frequency bands. And the frequency band is marked on the label of antenna; if not, please refer to the label on the radio for frequency band information.

TC-700P

Radio Overview

Radio Controls



- (1) PTT Key
- (2) SK1 (Side Key 1)
- (3) SK2 (Side Key 2)
- (4) Antenna
- (5) Speaker
- (6) Microphone
- (7) TK (Top Key)
- (8) Channel Selector Knob
- (9) Radio On-Off/Volume Control Knob
- (10) LED Indicator
- (11) Battery Latch
- (12) Belt Clip
- (13) Accessory Jack
- (14) Battery
- (15) Charging Piece

Radio Overview

Programmable Keys

For enhanced convenience, you may request your dealer to program the keys SK1, SK2, and TK as shortcuts to the functions listed below:

No.	Shortcut Keys	Description
1	Adjust Power Level	To adjust power level through one key press.
2	Monitor	To adjust the condition for incoming signal match.
3	Monitor Momentary	
4	Squelch Off	
5	Squelch Off Momentary	To always unmute speaker no matter whether carrier is present or not.
6	Cancel Call	To quickly exit the established call.
7	Scan	To listen to communication activities on other channels (Normal Scan)
8	Nuisance Temporary Delete	To select the closest base station to communicate (Vote Scan).
9	Nuisance Channel Delete	To permanently ignore unwanted channel activity.
10	Emergency	To summon help in emergent situations.
11	VOX	To make the radio transmit automatically when you speak.
12	Talk Around	To directly communicate with other radios.
13	Adjust Squelch Level	To temporarily adjust the squelch threshold required for the radio to unmute.
14	Scrambler	To encrypt your voice so as to guarantee privacy of your voice communication.
15	Compandor	To suppress ambient noise and improve audio quality.
16	Call Forward	To forward a received call.

Radio Overview

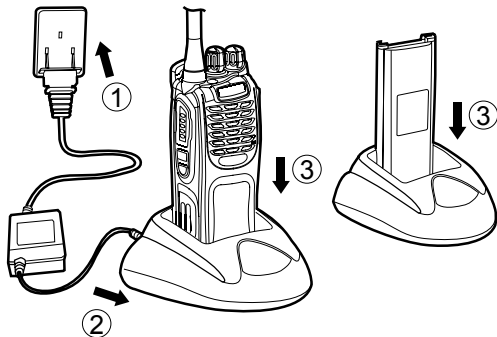
No.	Shortcut Keys	Description
17	Whisper	To make your voice heard clearly even if you speak with a very low voice.
18	Lone Worker	To activate Emergency in case of unexpected circumstances.
19	Man Down	To activate Emergency in case of unexpected circumstances.
20	Auto Contact	To detect whether a member in the contact list is out of the communication range.
21	Auto Contact Temporary Delete	To temporarily remove the radio out of the communication range from the contact list.
22	Call 1-Call 5	To quickly call other radios.
23	Battery Power Indicator	To indicate the battery strength.
24	Rental Time Indicator	To indicate the remaining time that you are allowed to use a leased radio.
25	Channel Announce Enable	To broadcast the channel number automatically upon power-on or channel switching.
26	Channel Announce Temporary Enable	To broadcast the number of the channel on which your radio is currently operating.
27	Patrol Event Select	To select an appropriate patrol event.
28	Patrol Event Affirm	To send the selected patrol event.

Before Use

Charging the Battery

Use only the charger and battery specified by Hytera. Charger LED can indicate the charging process.

Charge Diagram



Procedures

1. Connect the power adapter to AC source. See ① .
2. Plug the power adapter into the rear socket of the charger. See ②.
3. Place the radio with the battery attached, or the battery alone, into the charger. See ③.
4. The charging process initiates when LED glows red, and is completed when LED glows green.



Note: To achieve optimal battery performance, please charge the battery for 5 hours before initial use.

Charge Indicator

LED Indicator	Charge Status
The LED flashes red slowly (0.2s on/3s off).	Standby (no load)
The LED glows red.	Charging
The LED glows green.	Fully Charged
The LED flashes red rapidly (0.2s on/0.2s off).	Error



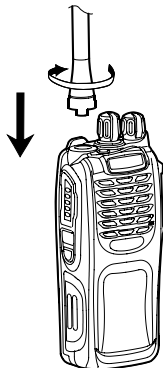
Note: Be sure to read the Safety Information Booklet, to get necessary safety information.

Before Use

Assembly and Disassembly

Attaching the Antenna

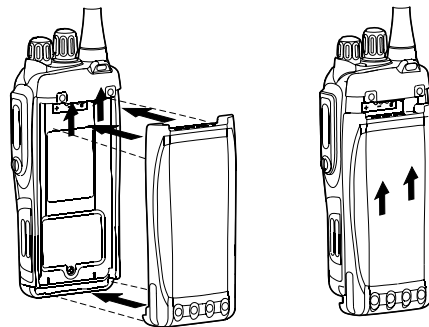
Turn the antenna clockwise to fasten it.



To remove the antenna, rotate it counter-clockwise.

Attaching the Battery

1. Make sure the battery is in parallel and good contact with the aluminum chassis. The battery bottom is about 1 to 2 centimeters below the bottom of the radio's body.
2. Align the battery with the guide rails on the aluminum chassis and slide it upwards until a "click" is heard.

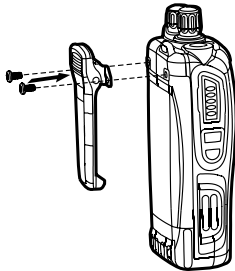


To remove the battery, turn off the radio first. Then slide the battery latch downwards for 2-3 millimeters, and slide the battery down to remove it.

Before Use

Attaching the Belt Clip

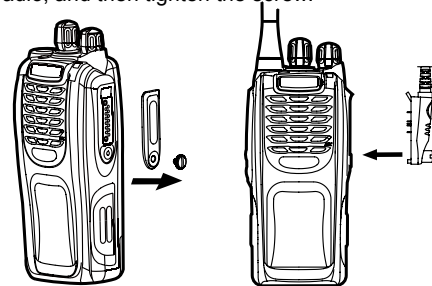
1. Remove the screws.
2. Align the screw holes on the belt clip with those on the radio's body, and then tighten the screws.



To remove the belt clip, loosen the screws.

Attaching Audio Accessory/Programming Cable

1. Remove the screw on the accessory jack cover by rotating it counter-clockwise, and then remove the accessory jack cover.
2. Insert the audio accessory or programming cable.
3. Align the screw on the audio accessory or programming cable with the threaded hole on the radio, and then tighten the screw.



To remove the audio accessory/programming cable, loosen the screw.



Caution: When you are using an external accessory, waterproof performance of the radio may get affected.

Status Indications

The top LED indicator will help you easily identify the current status of your radio.

Radio Status	LED Indicator
Transmitting	The LED glows red.
Receiving	The LED glows green.
Call Transmission Alert	The LED glows orange.
Call Alert (5-Tone)	The LED flashes orange slowly.
Missed Call Alert (5-Tone)	The LED flashes orange rapidly.
Call Alert (HDC2400TM)	The LED flashes orange rapidly.
Selective Call Alert (HDC2400™)	Group Call/Zone Call/Broadcast: the LED flashes orange once; Individual Call: the LED flashes orange twice.
Scanning	The LED flashes green.
Low battery	The LED flashes red.

Basic Operations

Turning the Radio On/Off

Rotate the **Radio On-Off/Volume Control** knob clockwise/counter-clockwise until a click is heard to turn the radio on/off.

Adjusting the Volume

After turning the radio on, rotate the **Radio On-Off/Volume Control** knob clockwise to increase the volume, or counter-clockwise to decrease the volume.

Selecting a Channel

Rotate the **Channel Selector** knob to select a desired channel.

Transmitting/Receiving a Call

To transmit a call, press and hold down the **PTT**, and speak into the microphone. During transmission, the LED glows red.

To receive, just release the **PTT**. When a signal is received, the LED glows green.



Note:

1. To ensure optimal volume of the receiving radio, hold the radio approximately 2.5 to 5 centimeters away from your mouth.
2. Communication range may get affected in rainy days or forest locations.

Functions and Operations

Adjust Power Level

Generally, we recommend you to adopt low power for power saving. However, if you cannot communicate with other radios located at a distant place with low power, please select medium power or high power.

Operation:

Press the programmed **Adjust Power Level** key to switch the power level (low power: the alert tone sounds once; medium power: the alert tone sounds twice; high power: the alert tone sounds three times).

Monitor

To reduce match conditions for signal receiving, you can enable the feature “Monitor”.

Operation:

- Press the programmed **Monitor** key to enable the feature (the alert tone sounds once). To disable the feature, press this key again (the alert tone sounds twice).
- Hold down the programmed **Monitor Momentary** key to enable the feature (the alert tone sounds

once). To disable the feature, release this key (the alert tone sounds twice).

Squelch Off

If the feature “Squelch Off” is enabled, your radio’s speaker will keep unmuted no matter whether carrier is present.

Operation:

- Press the programmed **Squelch Off** key to enable the feature (the alert tone sounds once). To disable the feature, press this key again (the alert tone sounds twice).
- Hold down the programmed **Squelch Off Momentary** key to enable the feature (the alert tone sounds once). To disable the feature, release this key (the alert tone sounds twice).

Cancel Call

This feature allows you to exit the established call quickly via a key press.

Operation:

Functions and Operations

After a call is established between you and another party, press the programmed **Cancel Call** key within the auto reset time (the LED glows orange), and your radio will exit the established call immediately (the alert tone sounds twice).

Scan

Scan Type:

You can ask your dealer to enable one of the following scan types for your radio.

1. Normal Scan

It allows you to listen to communication activities on other channels so that you can keep a close track of your team members.

2. Vote Scan

It applies to multi-frequency simulcast systems, which are suitable for places with abundant spectrum resource. In the system, the repeater allows for wide coverage. A typical multi-frequency simulcast system is composed of a set of scattered base stations that are transmitting

at the same frequency. In this system, the radios are configured to transmit at the same frequency, but to receive at different frequencies. The radio scans the frequencies of these base stations, and selects the closest base station to communicate through voting algorithm.

Operation:

1. Scan Start

Scan Start for Normal Scan:

- Press the programmed **Scan** key in standby mode; or
- Operate on a channel for which the feature "Auto Scan" is enabled via the programming software.

Scan Start for VOTE Scan:

- The radio will activate VOTE scan automatically upon power-on.
- ##### 2. After the feature is enabled, your radio will scan according to the scan list set for the channel on which scanning starts. The scanning process is as follows:
- The LED flashes green during scanning.

Functions and Operations

- When activities are detected on a channel, the radio will stay on the channel to receive current activities and the LED glows green.
 - If you don't want to hear activities on the channel, press the programmed **Nuisance Temporary Delete** key to remove the channel from the scan list temporarily, or the programmed **Nuisance Channel Delete** key to remove the channel from the scan list permanently.
3. To exit the scanning process, press the programmed Scan key again. Besides the above method, you can exit scanning in the following ways:
- Switch to a channel without a scan list, or switch to a channel with the feature "Auto Scan" disabled.
 - Press one of the programmed **Call 1-Call 5** keys.
 - The Stun code is received.
 - Enable the Emergency function.
 - Turn the radio off.



Note: You can request your dealer to create a scan list for each channel. Each list may contain 16 channels at most. You can delete a channel from the scan list only when there are more than 2 channels in the scan list.

Emergency

In case of an emergency, you can use this feature to ask for help from your companion or the control center. In all cases, this feature enjoys the highest priority.

1. Emergency Start

The feature can be enabled via the following methods:

- Press the programmed **Emergency** key.
- Activate Emergency in Lone Worker mode (please see "Lone Worker" on Page 17 for details).
- Activate Emergency in Man Down mode (please see "Man Down" on Page 17 for details).

2. Emergency Exit

To exit the emergency mode, the following methods are available:

- Long press the **Emergency** key.
- The preset Emergency Exit command is received.
- The preset emergency cycles expire.
- Place the radio upright if the Emergency is activated in Man Down mode.
- Turn the radio off.

Functions and Operations

3. Emergency Mode

Once the radio enters Emergency mode, it will switch to the preset Emergency Revert Channel. A complete process includes the following stages: transmit ID, transmit alarm/transmit background tone and forcibly receive. The cycles and duration of each stage can be programmed by your dealer. The emergency methods include:

1. No alarm tone sounds.
2. The alarm tone can be heard by the transmitting party only.
3. The alarm tone can be heard by the receiving party only.
4. The alarm tone can be heard by both parties.
5. Secret alarm. If the feature “Secret Alarm” is enabled, the radio will enter the secret alarm mode, without any visible or audible indication.

VOX

This feature allows you to transmit your voice with no need to press the **PTT**. However, you must employ a dedicated earpiece to realize this function.

Operation:

1. Insert an earpiece dedicated for the VOX feature.
2. Press the programmed **VOX** key to enable the feature (the alert tone sounds once). Then speak into the microphone on your earpiece to transmit your voice, and transmission will stop automatically when you stop talking.
3. Press this key again to disable the feature (the alert tone sounds twice).

Talk Around

This feature allows you to continue communication even when the repeater malfunctions, or when your terminal is out of the repeater's range but within the coverage range of another terminal.

Functions and Operations

Operation:

Press the programmed **Talk Around** key to enable the feature (the alert tone sounds once). To disable the feature, press this key again (the alert tone sounds twice).

Adjust Squelch Level

This feature allows you to adjust the squelch threshold required for the radio to unmute. Generally, high squelch level is used in noisy environment. It requires stronger signal for the radio to unmute. If the squelch level is set to Level 0, the speaker will keep unmuted irrespective of the satisfaction of decoding conditions.

Operation:

Press the programmed **Adjust Squelch Level** key to switch among Level 0-Level 9, and the radio broadcasts the current squelch level (except Level 0).

Scrambler

This feature can encrypt your audio signals to prevent eavesdropping. Thus privacy of your voice communication is guaranteed.

Operation:

Press the programmed **Scrambler** key to enable the feature (the alert tone sounds once). To disable the feature, press this key again (the alert tone sounds twice).

Compandor

This feature may suppress ambient noise and improve audio quality, allowing you to hear clear and crisp voice even under noisy environment.

Operation:

Press the programmed **Compandor** key to enable the feature (the alert tone sounds once). To disable the feature, press this key again (the alert tone sounds twice).

Call Forward

This feature allows your radio to forward an incoming call to another radio or to the control center.

Operation:

Press the programmed **Call Forward** key to enable the feature (the alert tone sounds once). To disable the feature, press this key again (the alert tone sounds twice).

Whisper

This feature allows your voice to be heard clearly even if you speak in a low voice.

Functions and Operations

Operation:

Press the programmed **Whisper** key to enable the feature (the alert tone sounds once). To disable the feature, press this key again (the alert tone sounds twice).

Lone Worker

This feature is ideal for persons who work lonely. If you encounter an incident and cannot operate your radio within the preset time period, your radio will alarm automatically to summon help from your companion.

Operation:

1. Press the programmed **Lone Worker** key to enable the feature (the alert tone sounds once).
2. If you do not operate your radio within the preset time period, your radio will keep beeping. To stop such beeping, please press a key.
3. Press this key again to disable the feature (the alert tone sounds twice).

Man Down (optional)

With this feature, your radio will alarm automatically to summon help from your companion if it is positioned aslant for a certain time period.

Operation:

1. Press the programmed **Man Down** key to enable the feature (the alert tone sounds once).
2. Your radio will sound a pre-alert tone if it is positioned aslant for a preset time period, and will enter the Emergency mode if you do not place it upright within such time period. To exit the Emergency mode, please place it upright.
3. Press this key again to disable the feature (the alert tone sounds twice).



Note: This function is optional. Please contact Hytera or your dealer if you need this function.

Auto Contact

This feature allows your radio to detect whether the member in its contact list is out of communication range. If so, your radio will sound the alert tone.

Operation:

1. Press the programmed **Auto Contact** key to enable the feature (the alert tone sounds once).

Functions and Operations

- If a radio is out of the communication range, you can press the programmed **Auto Contact Temporary Delete** key to remove it from the contact list temporarily.

Call 1-Call 5

This feature allows you to call other radios quickly.

Operation:

Press one of the programmed **Call 1-Call 5** keys (preset with a unique radio ID respectively) to call the corresponding radio.



Note: Please request your dealer to assign your desired radio IDs to Call 1-Call 5 respectively.

Battery Power Indicator

This feature allows you to know the current battery strength.

Operation:

Press the programmed **Battery Strength Indicator** key, and the radio broadcasts a number (1, 2, 3 or 4) to indicate the current battery strength. The larger the number is, the higher the battery strength is. If the radio

broadcasts number 1, it means that the battery level runs low. In this case, please replace or charge the battery.

Rental Time Indicator

With this feature, you can know the remaining time that you are allowed to use a leased radio.

Operation:

Press the programmed **Rental Time Indicator** key, and your radio will broadcast a number (1-5), which indicates the remaining time that you are allowed to use the radio. When the rental time expires, your radio will keep beeping, and cannot transmit or receive.



Note: The indications of numbers 1-5 are programmable by your dealer.

Channel Announce Enable

If enabled, your radio will broadcast the channel number automatically upon power-on or channel switching.

Operation:

- Press the programmed **Channel Announce Enable** key to enable the feature (the alert tone sounds once). And your radio will broadcast the current

Functions and Operations

channel number if you switch channel or restart your radio.

2. Press this key again to disable the feature (the alert tone sounds twice).



Note: If you use an earpiece on your radio, we recommend you to set the “Voice Announce Volume” to Level 1 (8 levels in all) via your dealer.

Channel Announce Temporary Enable

If enabled, your radio will broadcast the number of the channel on which your radio is currently operating.

Operation:

1. Press the programmed **Channel Announce Temporary Enable** key to enable the feature (the alert tone sounds once). And your radio broadcasts the number of the current channel.
2. Press this key again to disable the feature (the alert tone sounds twice).



Note: If you use an earpiece on your radio, we recommend you to set the “Voice Announce Volume” to Level 1 (8 levels in all) via your dealer.

Patrol (optional)

This function is available only when the appropriate optional board is attached.

TC-700P supports Real-time Patrol function only, not Off-line Patrol function. Therefore, the patrol radio will not save the patrol information received from the patrol transmitter into its memory chip, but transmit it to the control center immediately.

When the patrol person arrives at the place where a patrol transmitter is installed, the patrol transmitter will transmit the patrol place and patrol time to the portable radio carried by the patrol person. Then the radio transmits the situation information of the current place (i.e. “patrol event”) along with the patrol place, patrol time and its radio ID to the control center. After receiving such information, the control center transmits it to the PC via the specified serial port protocol. Then the PC will display the information via the patrol management software for the dispatcher in the control center, allowing convenient monitoring and dispatching.

Functions and Operations

Operation:

1. When you have received the information from the patrol transmitter, press the programmed **Patrol Event Select** key to select an appropriate event (your radio will broadcast a number to indicate the selected event).
2. Press the programmed **Patrol Event Affirm** key to transmit the selected event to the control center.



Note: This function is optional. Please contact Hytera or your dealer if you need this function.

Vibrate (optional)

If enabled, your radio will give vibration alert after successful decoding.



Note: This function is optional. Please contact Hytera or your dealer if you need this function.

Time-out Timer (TOT)

The purpose of TOT is to prevent any user from occupying a channel for an extended time period. If the preset time expires, the radio will automatically terminate

transmission and keep beeping. To stop beeping, please release the **PTT** key. You must wait for a certain time period (preset by your dealer) to initiate another transmission.

If the Pre-alert function is activated by your dealer, your radio will alert you to the TOT expiration in advance.



Note: This feature is null in Emergency mode.

Safety Check

TC-700P will sound the alert tone after it receives the safety check signal from the control center or another radio. In this case, you need to press a key to stop the alert tone, indicating that you are safe. Otherwise, your radio will alarm automatically.

Low Battery Alert

This feature allows you to know the low battery status. When the battery level runs low, the LED will flash red and three beeps sound every 30 seconds. In this case, please replace or charge the battery.

Signaling Introduction

The following types of signaling are available for TC-700P. For detailed information, please contact your dealer.

Phone

This type of signaling allows your radio to call a telephone terminal after appropriate programming. During use, your radio may send the access code that allows a connection to a telephone line, or send the exit code that allows a disconnection from a telephone line.

Operation:

In the programming software, assign a sequence of DTMF code to one of the **Call 1-Call 5** keys or PTT ID, and then associate the key with a programmable key or enable the PTT ID function. Then press **PTT** or one of the programmed **Call 1-Call 5** keys to send the preset DTMF, and to connect the telephone line.

HDC2400™ Signaling

HDC2400™ is the exclusive signaling provided by Hytera. It allows various functions in this radio such as PTT ID, Selective Call, Alert Call, Radio Check, Safety Check, Kill, Stun, Revive, Emergency, Remote Monitor (decoding only), Auto Contact and etc.

Encoding:

1. Press the **PTT** key during normal voice communication to send PTT ID.
2. Press the programmed **Call 1-Call 5** to send Selective Call, Alert Call, Radio Check, Safety Check, Kill, Stun and Revive.
 - Selective Call/Alert Call: The LED glows red during encoding, and glows orange after encoding.
 - PTT ID/Selective Call/Alert Call: Your dealer can program whether the radio sounds side tone during encoding or sounds beeps after encoding.

Decoding:

- Selective Call/Alert Call: The following indications will be given after decoding.

Alert: The radio will sound customized or default alert.

LED Indication: The LED flashes orange twice for Individual Call and once for Group Call, Zone Call and Broadcast.

Vibrate: The vibration times is programmable by your dealer.

Signaling Introduction

- Killed: The speaker mutes, and any operation such as key press is not allowed.
- Stunned: The radio can receive signal only.
- Revived: The radio will restore to normal operation.

5-Tone Signaling

The 5-Tone signaling is a set of common international standard signaling. Radios compliant with 5-Tone signaling can communicate with each other. In this radio, the 5-Tone signaling allows functions such as Individual Call, Group Call, Kill, Revive, Secret Alarm, Authorize, Call Forward and etc.

Encoding:

- Press the **PTT** key during normal voice communication to send PTT ID (whether to send PTT ID is programmable by your dealer).
- Press the programmed **Call 1-Call 5** to send Selective Call, Priority Call, Emergency Exit, Kill, Revive, Secret Enquiry, Cancel Call, Authorize and etc. The LED glows red during encoding, and glows orange after encoding.
- Selective Call/Priority Call/Emergency Exit/Kill/

Revive/Secret Enquiry/Cancel Call/Authorize: Your dealer can program whether the radio sounds side tone during encoding or sounds beeps after encoding.

Decoding:

- Selective Call/Priority Call/Emergency Exit: The following indications will be given after decoding.

Alert: The radio will sound customized or default alert.

LED Indication: The LED flashes orange twice for Individual Call and once for Group Call, Zone Call and Broadcast.

Vibrate: The radio will keep vibrating until a key is pressed.

- Killed: The speaker mutes, and any operation such as key press is not allowed.
- Revived: The radio will restore to normal operation.

Troubleshooting

Phenomena	Analysis	Solution
The radio can not be powered on.	The battery may be improperly installed.	Remove the battery and attach it again.
	The battery may run out.	Recharge or replace the battery.
	The battery may suffer from poor contact caused by dirtied or damaged battery contacts.	Clean the battery contacts. If the problem can not be solved, contact your dealer or our authorized service center for inspection and repair.
During receiving signals, the voice is weak, discontinuous or totally inactive.	The battery strength may be too low.	Recharge or replace the battery.
	The volume may be set to a low level.	Increase the volume.
	The antenna may get loose or may be improperly installed.	Power off the radio, re-install the antenna and power on the radio again.
You can not communicate with other members.	The speaker may be blocked or damaged.	Clean surface of the speaker. If the problem can not be solved, contact your dealer or our authorized service center for inspection and repair.
	The frequency or signaling may be inconsistent with that of other members.	Set your frequency and signaling to the same as that of other members.
Irrelevant communication activities or noises are heard on the channel.	You may be too far away from the group members.	Move towards other members. And make sure that you are within the communication range.
	You may be interrupted by radios using the same frequency.	Change the frequency, or adjust the squelch level.

Troubleshooting

Phenomena	Analysis	Solution
Irrelevant communication activities or noises are heard on the channel.	The radio may be set with no signaling.	Set signaling for all member radios to avoid interference at the same frequency.
The noise is too loud.	You may be too far away from other members.	Move towards other members, power off your radio and then restart it.
	You may be at an unfavorable position. For example, your communication may be blocked by high buildings or frustrated in the underground areas.	Move to an open and flat area, and restart the radio.
	You may suffer from external disturbance (such as electromagnetic interference).	Stay away from equipment that may cause interference.

If the above solutions can not fix your problems, or you may have some other queries, please contact us or your local dealer for more technical support.

Care and Cleaning

To guarantee optimal performance as well as a long service life of your radio, please follow the tips below.

Radio Care

- Keep the radio far away from substances that can corrode the circuit.
- Do not hold the radio by its antenna or earpiece cable directly.
- Attach the accessory jack cover when the radio is not in use.

Radio Cleaning

- Clean up the dust and fine particles on the radio surface and charging piece with a clean and dry lint-free cloth or a brush regularly.
- Use neutral cleanser and a non-woven cloth to clean the keys, control knobs and front case regularly. Do not use chemical preparations such as stain removers, alcohol, sprays or oil preparations, so as to avoid surface case damage. Make sure the terminal is completely dry before use.



Caution: Power off the radio and remove the battery before cleaning.

Optional Accessories

The following items are the main optional accessories for the radio, and please consult your local dealer for more other accessories.



Earbud with on-MIC
PTT ESN06



Earbud with In-Line
PTT ESN05



D-earset with Boom
Microphone EHN08



D-earset with In-Line
Microphone EHN07



Lightweight Single-
muff Headset ECN07



Earpiece with on-MIC PTT &
Transparent Acoustic Tube
EAN04



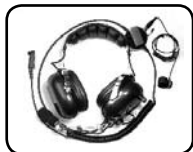
2-wire Surveillance Earpiece with
Transparent Acoustic Tube
EAN07 (black)



Lightweight Throat-vibration
Earpiece ELN02



2-wire Earpiece with
Wireless Receiver and
Neck Loop EWN03



Noise-cancelling
Headset ECN08



Behind-the-head
Noise-cancelling
Headset ECN09



3-Wire Surveillance Earpiece
with Transparent Acoustic Tube
(black/beige) EAN02/ EAN06

Optional Accessories



Bone-conduction
Earpiece EBN01



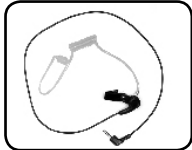
Remote Speaker Microphone
(IP56) SM13N5



Remote Speaker
Microphone SM08N1



Earbud (for use with
remote speaker
microphone) ESS07



Earpiece with Transparent
Acoustic Tube (for use with
remote speaker microphone)



Li-Ion Battery (2100mAh)
BL2102
Ni-MH battery (1800mAh)
BH1801



MCU Multi-unit Rapid
Rate Charger (for Li-Ion/
Ni-MH batteries) MCA03



Six-Unit Switching
Power PS7002



Vehicle Adapter
CHV09



Belt Clip BC09 (for use
with battery BL2102 or
BH1801)



Antenna



Note:

Use only the accessories specified by Hytera only. If not, Hytera shall not be liable for any losses or damages arising out of use of unauthorized accessories.