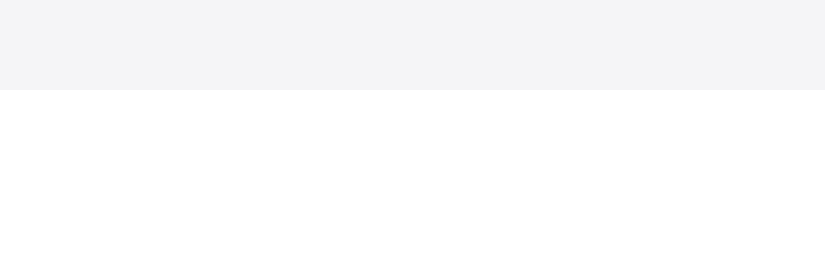
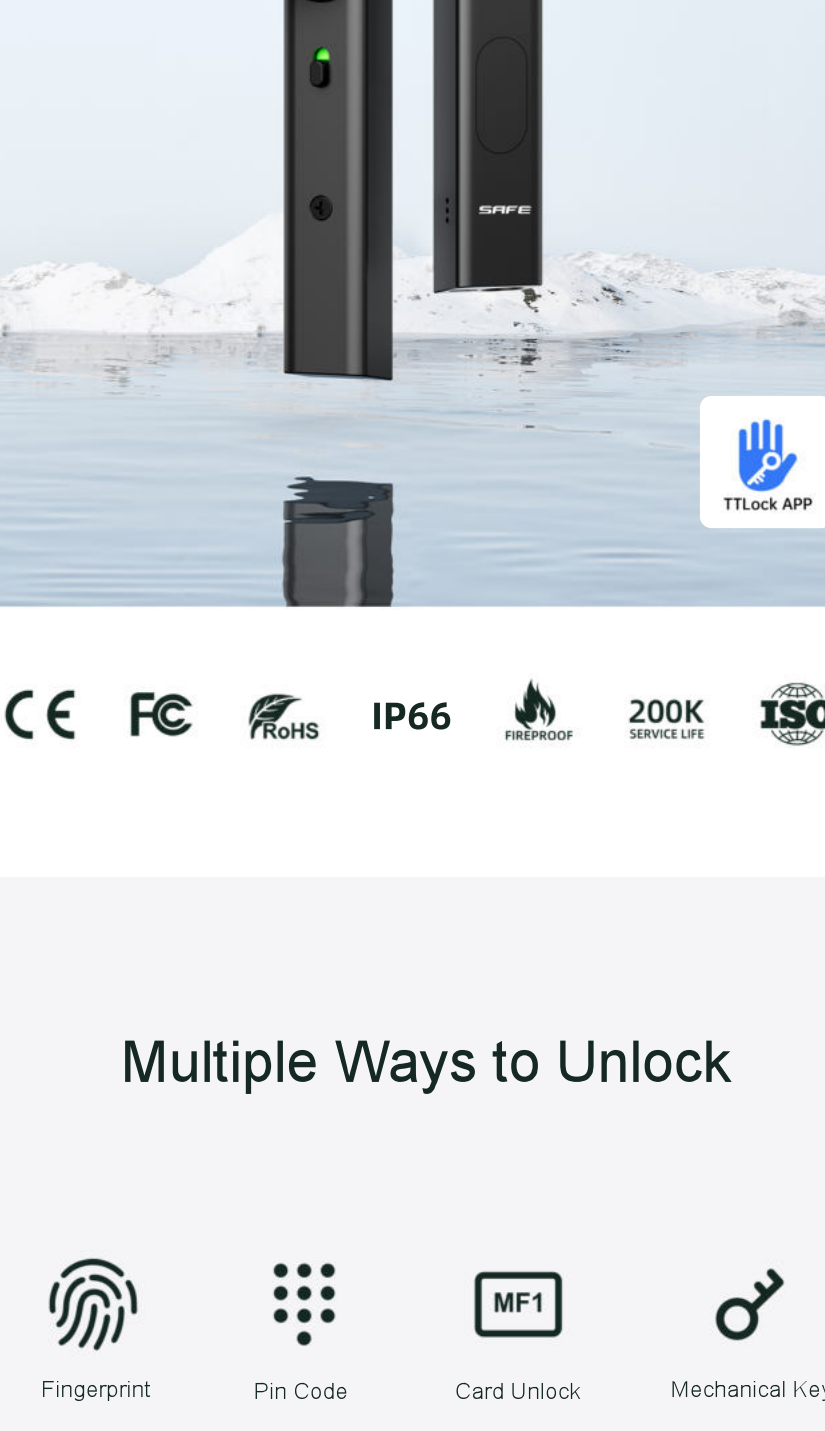


Ultra-Slim Lock - RCF_UNI-MAX-B For Narrow Aluminum Door

6V
4 x AAA Batteries

34MM
Extremely Narrow

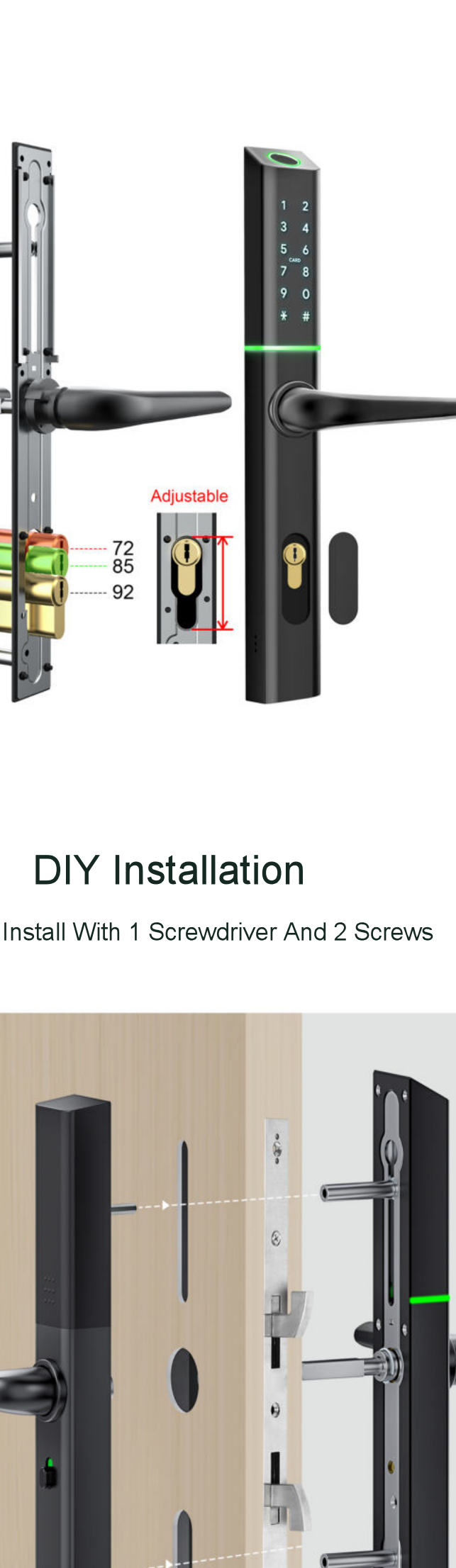
IP66
Waterproof Level



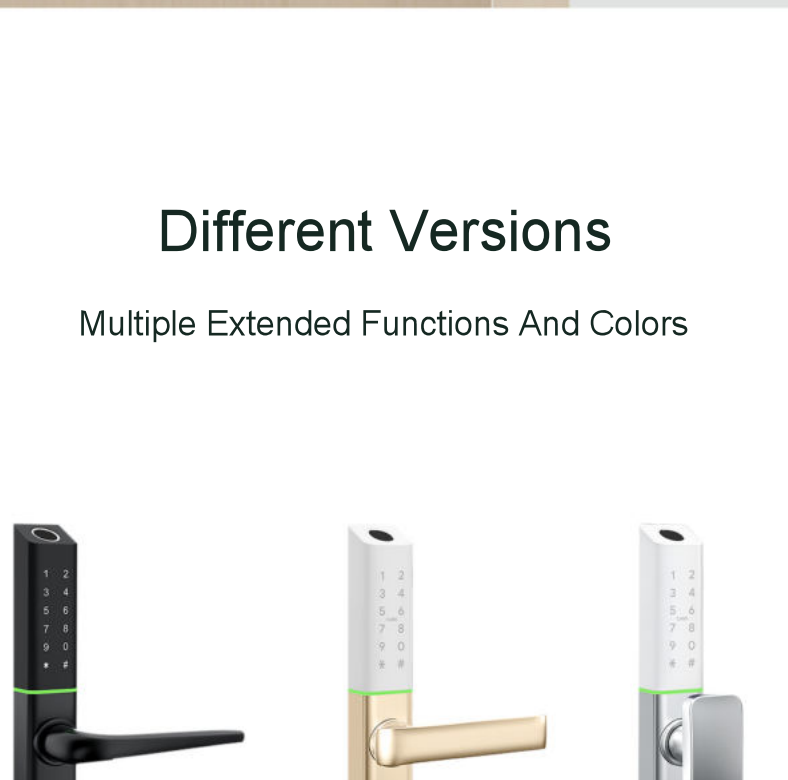
Multiple Ways to Unlock



Lift The Handle to Lock

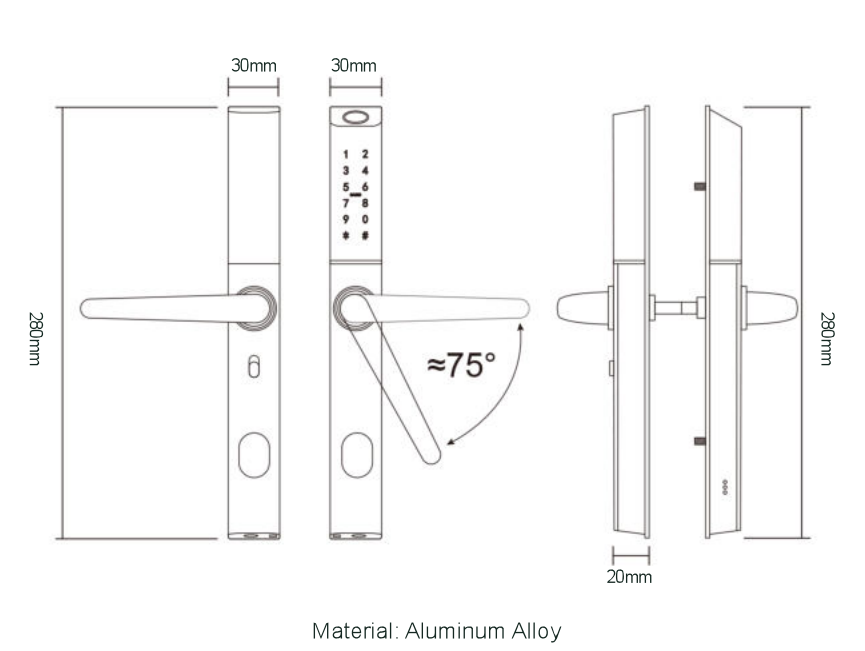


Adjustable Cylinder Position Fitable for 72mm / 85mm / 90mm / 92mm



DIY Installation

Easy To Install With 1 Screwdriver And 2 Screws

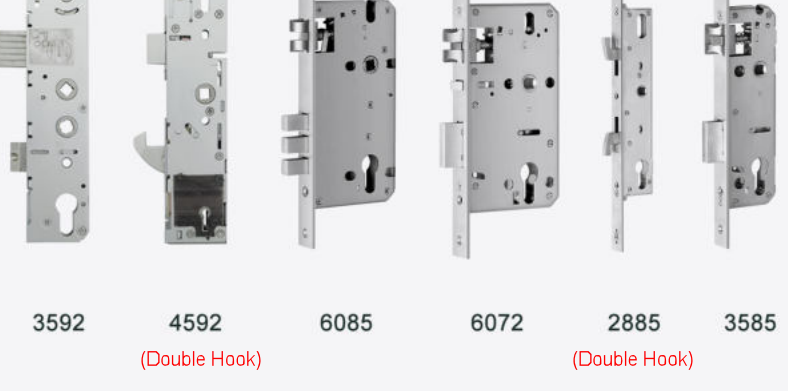


Door Thickness 35mm - 65mm
(Can Optionally Support DT to Max 110mm)

Adaptation: Wooden Door / Composit Door / Steel Door

Different Versions

Multiple Extended Functions And Colors



Material: Aluminum Alloy
Lock Dimension: 280mm(H) * 30mm(W) * 20mm(T)

Working Voltage	6V(4 x AA Batteries)
Battery Life	12 Months Battery Life
Working Temperature	-25° ~ 60°
Working Humidity	0% ~ 95%
Door Thickness	35 ~ 60mm
User Capacity	Fingerprint: 200 Password: 150 Card: 200
Unlocking Way	BLE, WiFi, Fingerprint, PIN Code, RFID Card, Key, Keyless Fob
Wireless Network Protocol	TTlock BLE, TTlock WIFI/BLE, TUYA BLE, TUYA WIFI, TUYA ZIGBEE
Application	Residential, Office, Airbnb, Condo & Apartment Projects

Adapts to The Lock Body



3592 4592 (Double Hook) 6085 6072 2885 3585 (Double Hook)

CONTACT US

www.hatpol.pl
HatPol
Ul. Tarnowska 105
33-300 Nowy Sącz