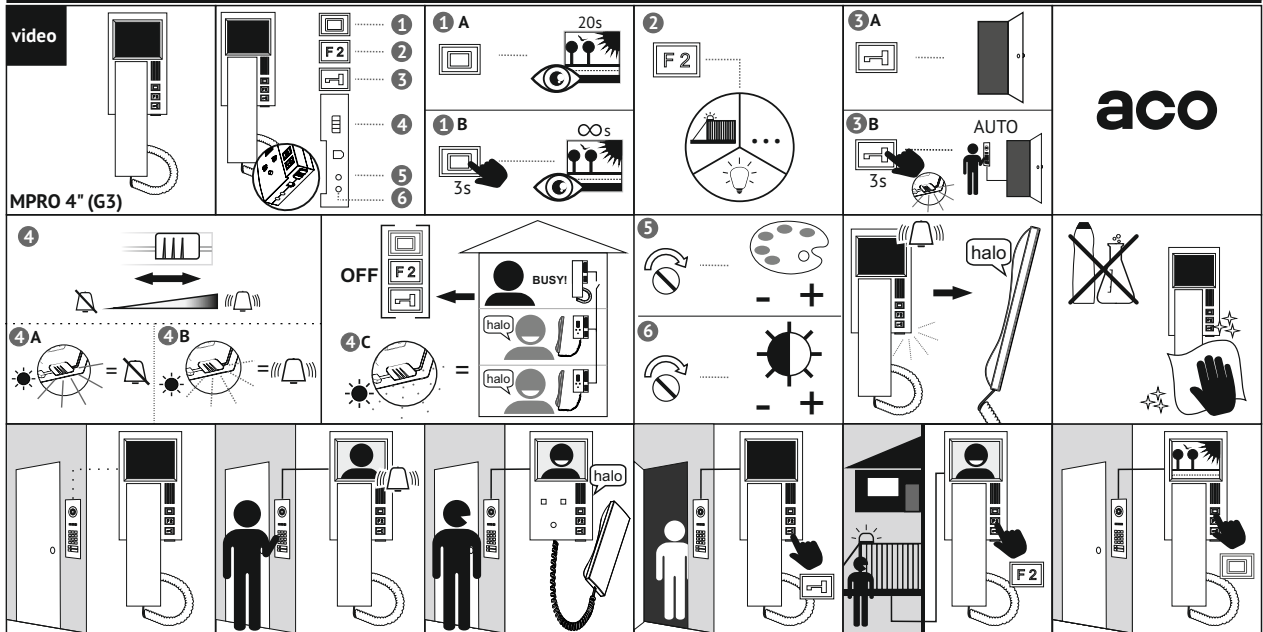


INSTRUKCJA UŻYTKOWNIKA / USER MANUAL / BENUTZERHANDBUCH / MODE D'EMPLOIE: **MPRO 4 (G3)**



INSTRUKCJA INSTALATORA / INSTALLERS MANUAL / INSTALLATIONSANWEISUNG / L'INSTRUCTION DE L'INSTALLATEUR: **MPRO 4 (G3)**

Tools: $\varnothing 8$, x2, $\varnothing 6$, x2, $\varnothing 6$, x2, $\varnothing 6$, x2

Installation diagrams showing correct and incorrect mounting methods.

Mounting height: ~150 cm

Terminal block connections:

1. orange - white	-DC POWER	Power
2. orange	+DC POWER	Power
3. green - white	LINE -	-DC POWER
4. blue	V+ (V1+)	Video
5. blue - white	V- (V1-)	Video
6. green	LINE +	Video
7. brown - white	-DC POWER	Power
8. brown	+DC POWER	Power

-DC Power = GND
+DC Power = +15VDC

UTP connections (A/B):

VIDEO	V+	V-	RING	LINE	GND	+15V	F2	MAX 24V	100mA
-------	----	----	------	------	-----	------	----	---------	-------

PS45-15-PRO-13

Terminal block connections (J1):

Term. Line

Term. Line

Term. Line

SET MONITOR ADDRESS

Address: 1

Address: 3 (1+2)

Address: 46 (2+4+8+32)

Address: ALL (0)

SET INTERCOM ADDRESS

ALL

1

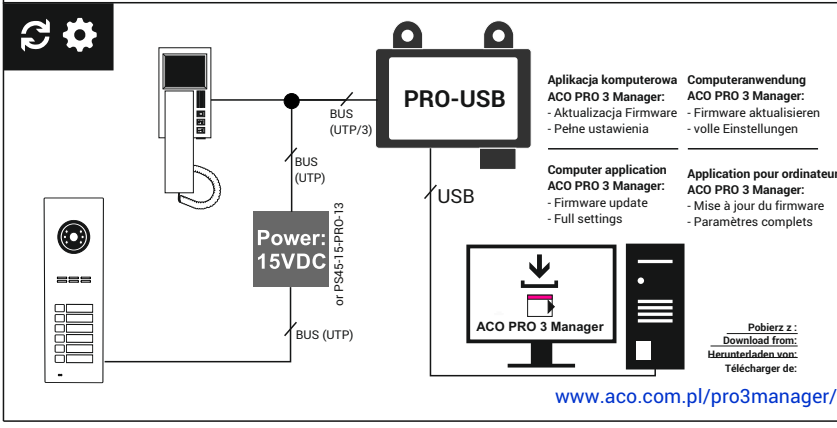
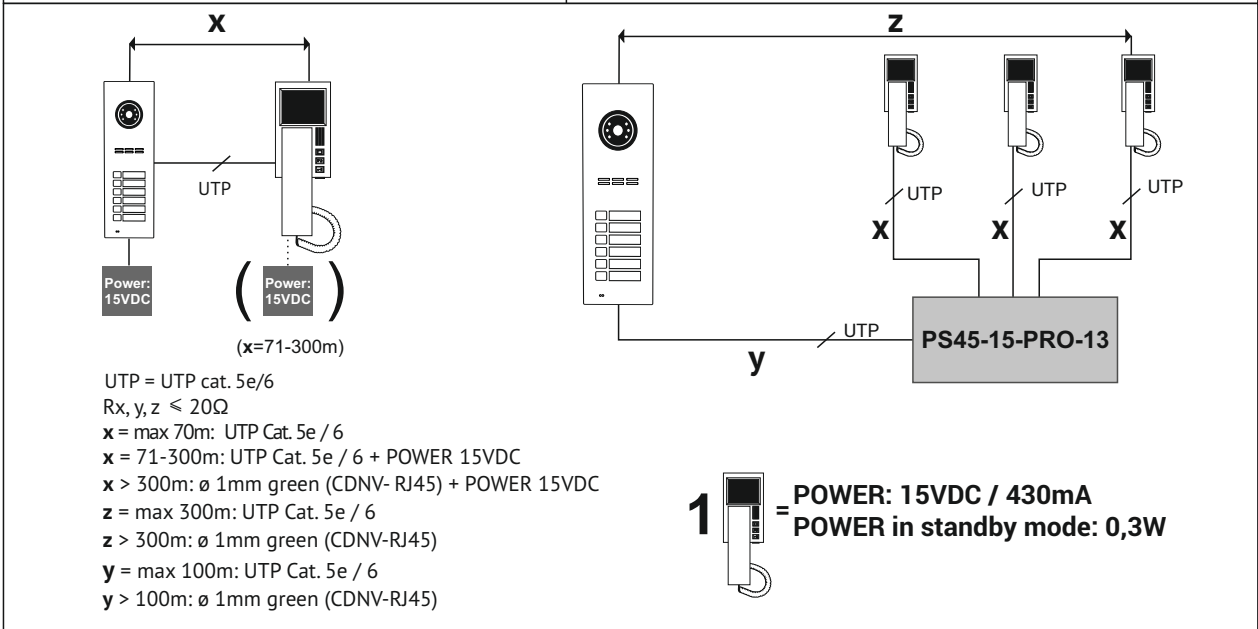
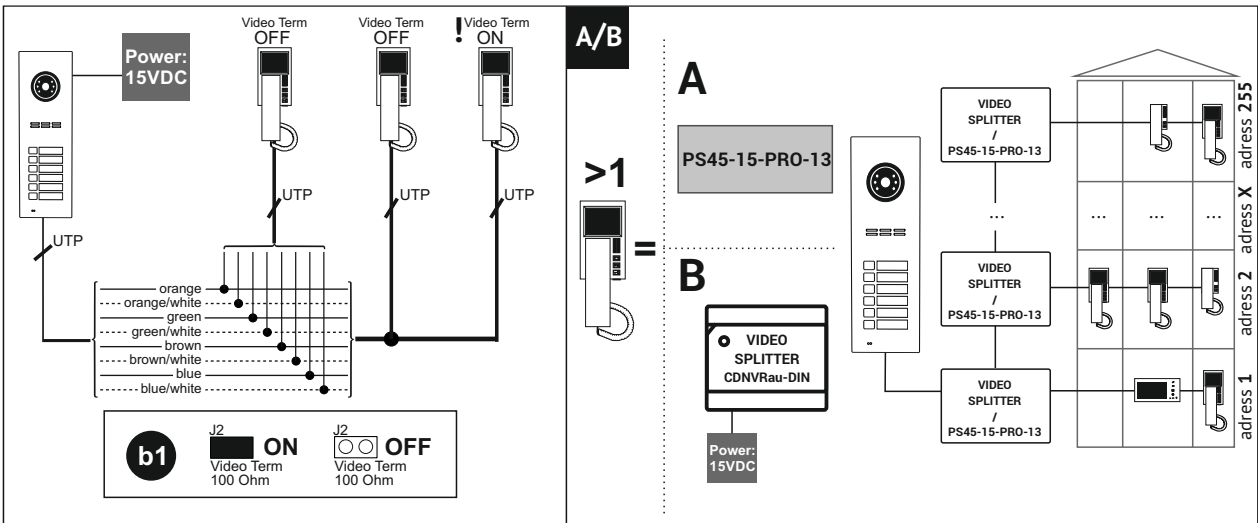
2

3

SET INTERCOM MODE

Global Intercom (not related to monitor address)

Internal Intercom (related to monitor address) only 1 and 2



aco

PRODUCENT / PRODUCER / HERSTELLER / PRODUCTEUR

ACO Sp. z o.o. sp. komandytowa
 ul. Diamentowa 7 62-002 Suchy Las, Poland
 tel. +48 61 843 93 71
 tel. +48 61 641 96 86
 bok@aco.com.pl
 export@aco.com.pl
www.aco.com.pl

Instrukcje oraz więcej informacji dostępne również na:
 Instructions and more information also available on:
 Instruktionen und weitere Informationsen auch verfügbar auf:
www.support.aco.com.pl

PL DE FR
 EN DE FR
 EN DE FR

IU0110vC.2023